

ISO A3 297mm x 420 mm

1

2

3

4

5



Instant Transportable Offices Pty Ltd
PO BOX 1383, WANGARA WA 6947

Phone (08) 9406-6600
www.instantseacontainers.com.au

THIS DRAWING IS PROTECTED BY COPYRIGHT LAWS.
DO NOT SCALE DRAWING.
REF TO DIMENSIONS ONLY.

PROJECT:
7' GP MINI-CONTAINER

LOCATION:
EX WORKS

CLIENT:
ISC

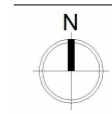
PROJECT TEAM INITIALS:

DRAWN BY:	LL
CHECKED BY:	SCR
APPROVED BY:	SCR

THIS DRAWING IS TO BE PRINTED IN COLOR

REV NO.	DATE	DESCRIPTION
01	19.07.23	INITIAL ISSUE

PROJECT NORTH



SCALE: 1 : 50

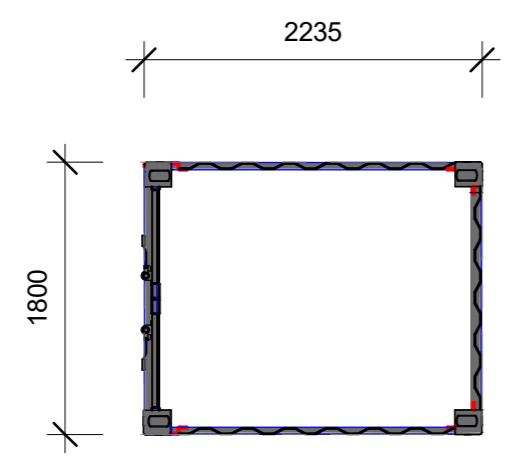
PROJECT NUMBER:
8028

SHEET TITLE:
FLOOR PLAN / 3DV

DRAWING NO:
8028

BUILDING DESIGN CRITERIA WIND LOAD
IN ACCORDANCE WITH AS.1170.2:2002
REGION A, TERRAIN CATEGORY 2

ITO-5500-G01-131-0002



20/07/2023 9:06:36 am