

PROJECT:
**5' (1.5x1.5) GENERAL STORAGE
SEA CONTAINER**

LOCATION:

EX WORKS

CLIENT:

ISC

PROJECT TEAM INITIALS:

DRAWN BY:	LL
CHECKED BY:	SCR
APPROVED BY:	SCR

THIS DRAWING IS TO BE PAINTED IN COLOR

REV NO.	DATE	DESCRIPTION
1	04.05.23	DRAWING CREATED FOR INITIAL ISSUE

PROJECT NORTH



SCALE:

As indicated

PROJECT NUMBER:

8026

SHEET TITLE:

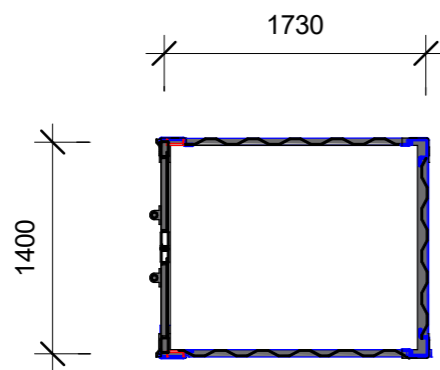
FLOOR PLAN / 3D VIEW

DRAWING NO:

8026-PLN

BUILDING DESIGN CRITERIA WIND LOAD
IN ACCORDANCE WITH AS.1170.2:2002
REGION A, TERRAIN CATEGORY 2

ITO-5500-G01-131-0002



1 FLOOR PLAN
1 : 50



2 3D VIEW
1 : 10